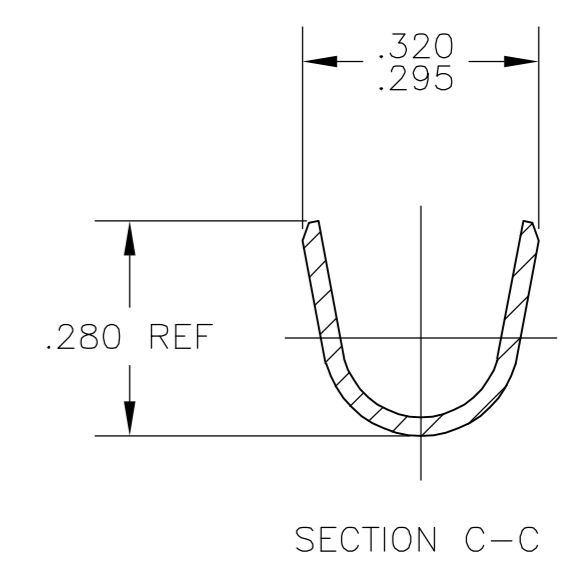
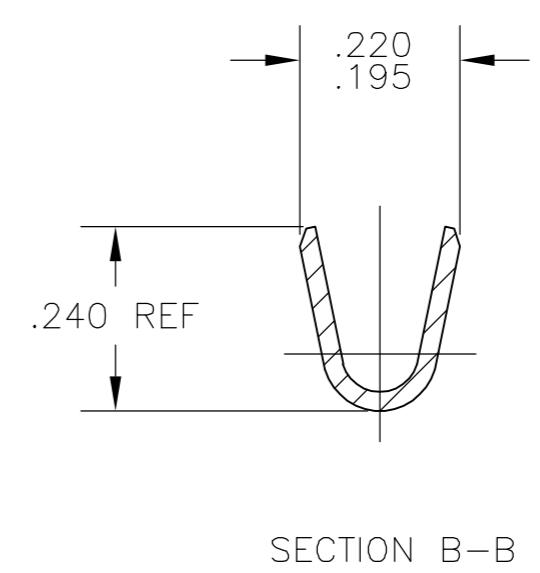
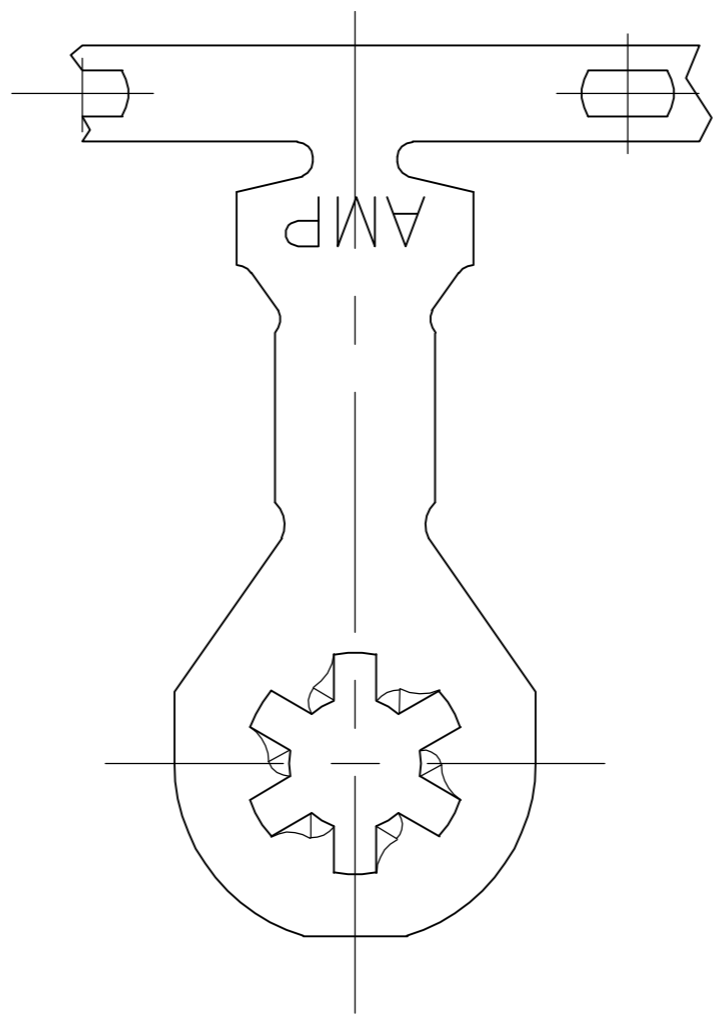
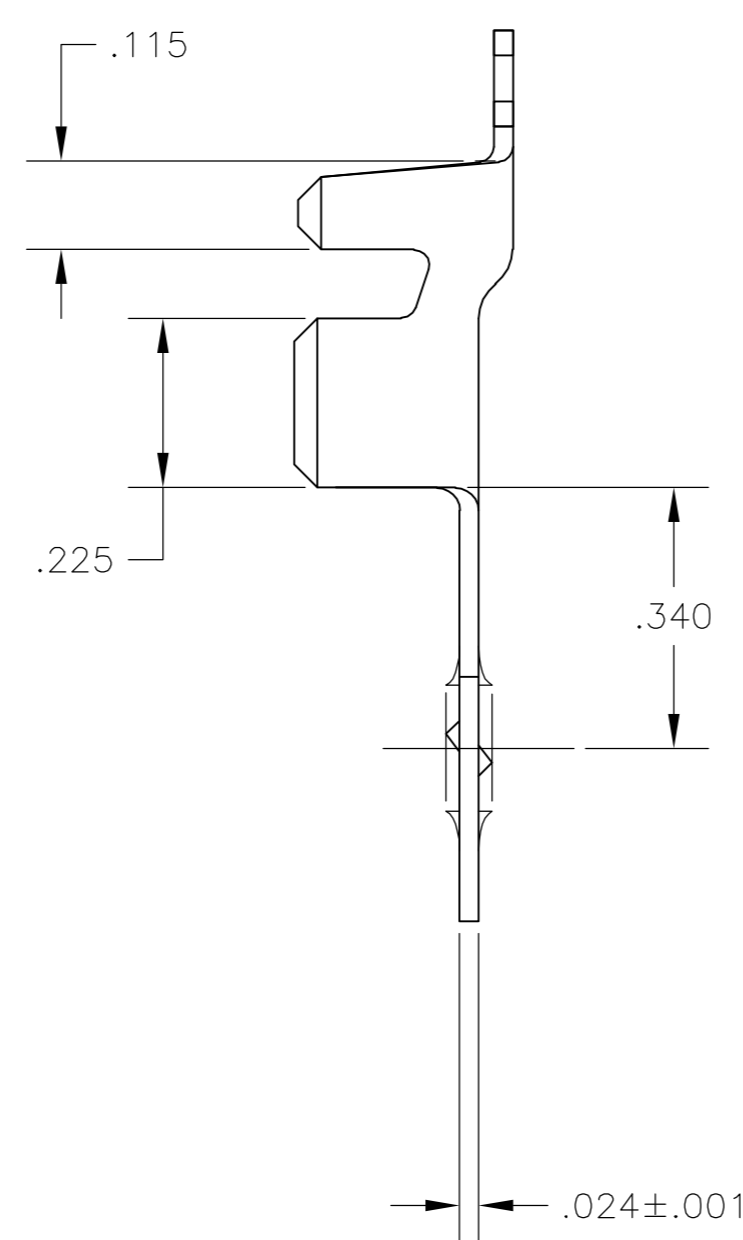
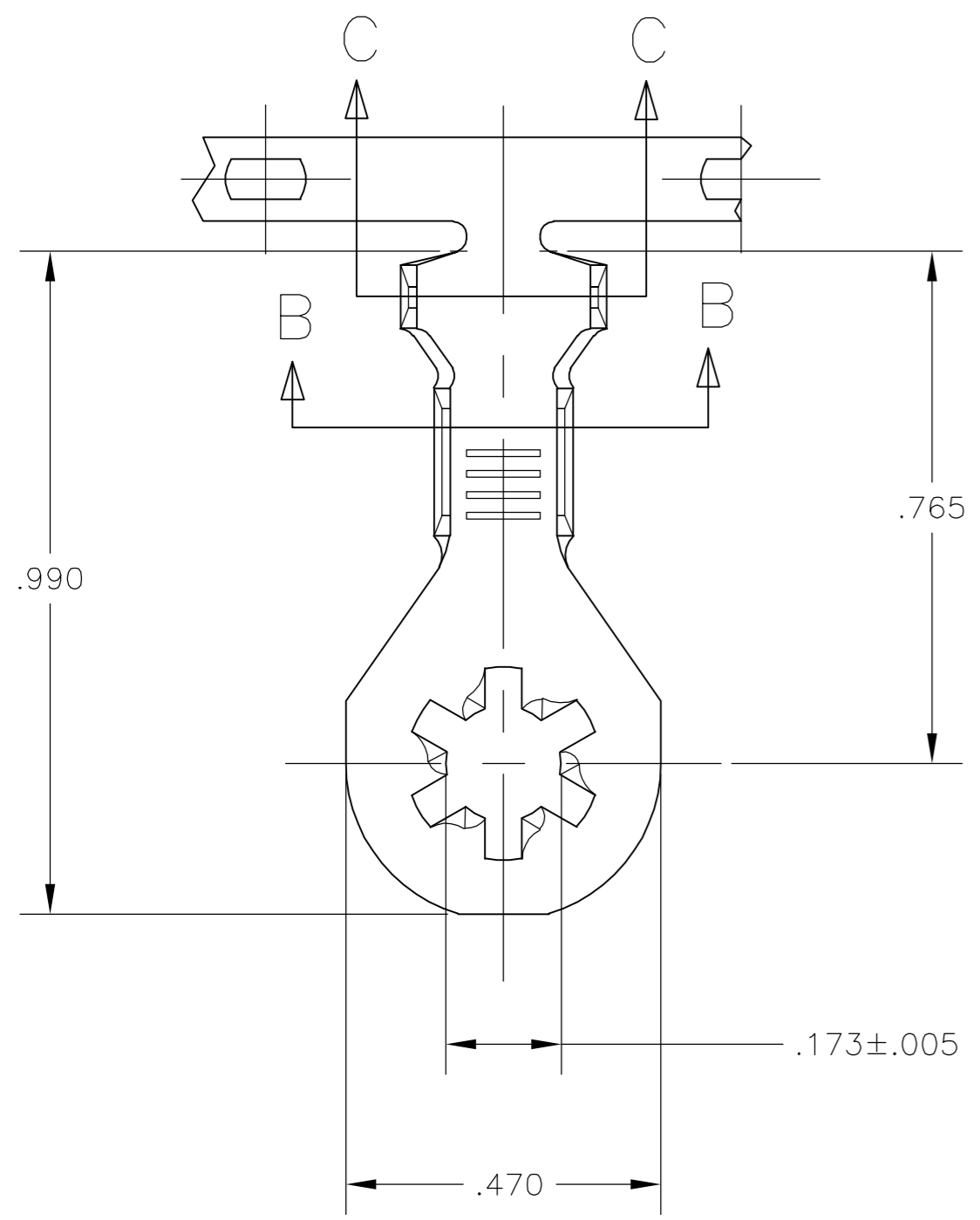


THIS DRAWING IS UNPUBLISHED. RELEASED FOR PUBLICATION
 © COPYRIGHT BY TYCO ELECTRONICS CORPORATION. ALL RIGHTS RESERVED.

LOC	DIST	REVISIONS			
P	LTR	DESCRIPTION	DATE	DWN	APVD
AF	50	C	REVISED PER OG3A-0923-04	30NOV04	MF DD

- 1 CONTINUOUS STRIP ON REELS.
- 2 WIRE RANGE: #12-#10 AWG,
INSULATION RANGE: .125-.220 DIA.



—	—	—
—	—	—
—	—	—
.000080 MIN TIN PLATE	TEMP 2 COLD ROLLED STEEL	62612-2
—	ANNEALED STAINLESS STEEL	62612-1
FINISH	MATERIAL	PART NUMBER
THIS DRAWING IS A CONTROLLED DOCUMENT.		DWN 17NOV2004 MICHAEL S. FEHER CHK 30NOV2004 DONALD F. DECKER APVD 30NOV2004 DONALD F. DECKER PRODUCT SPEC APPLICATION SPEC WEIGHT —
DIMENSIONS: INCHES 	TOLERANCES UNLESS OTHERWISE SPECIFIED: 0 PLC ± — 1 PLC ± — 2 PLC ± — 3 PLC ± .010 4 PLC ± — ANGLES ± — FINISH SEE TABLE	NAME RING, ANTIROTATIONAL, 8 STUD SIZE SIZE A2 CAGE CODE 00779 DRAWING NO C=62612 RESTRICTED TO — SCALE 5:1 SHEET 1 OF 1 REV C
MATERIAL SEE TABLE	FINISH SEE TABLE	CUSTOMER DRAWING

62612

A